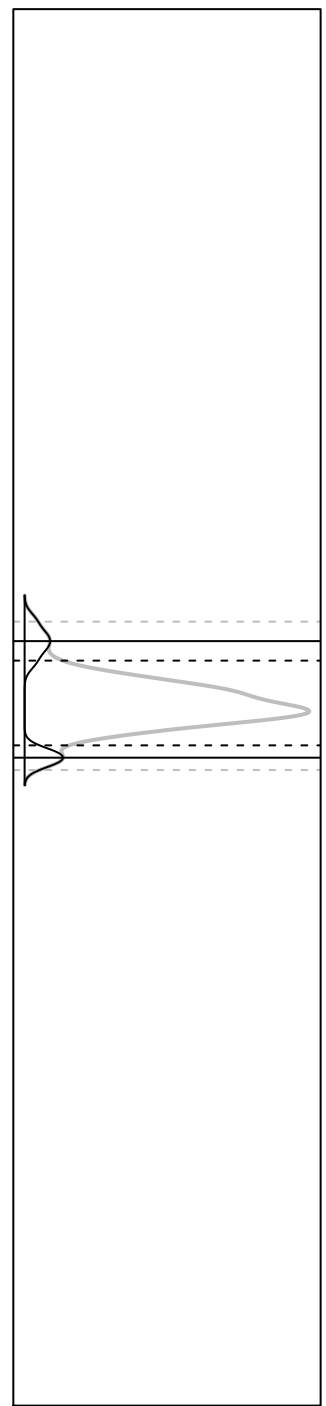
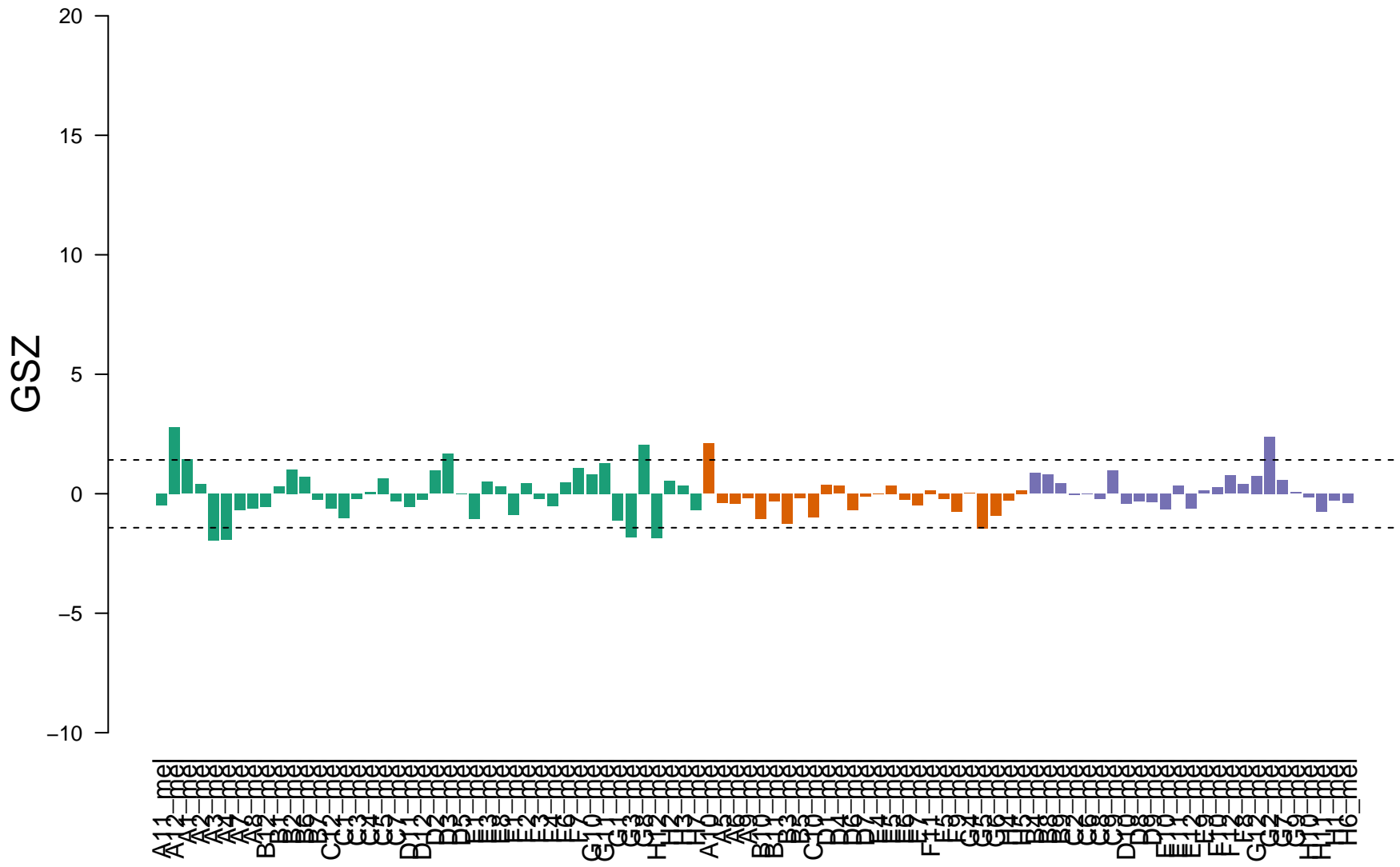


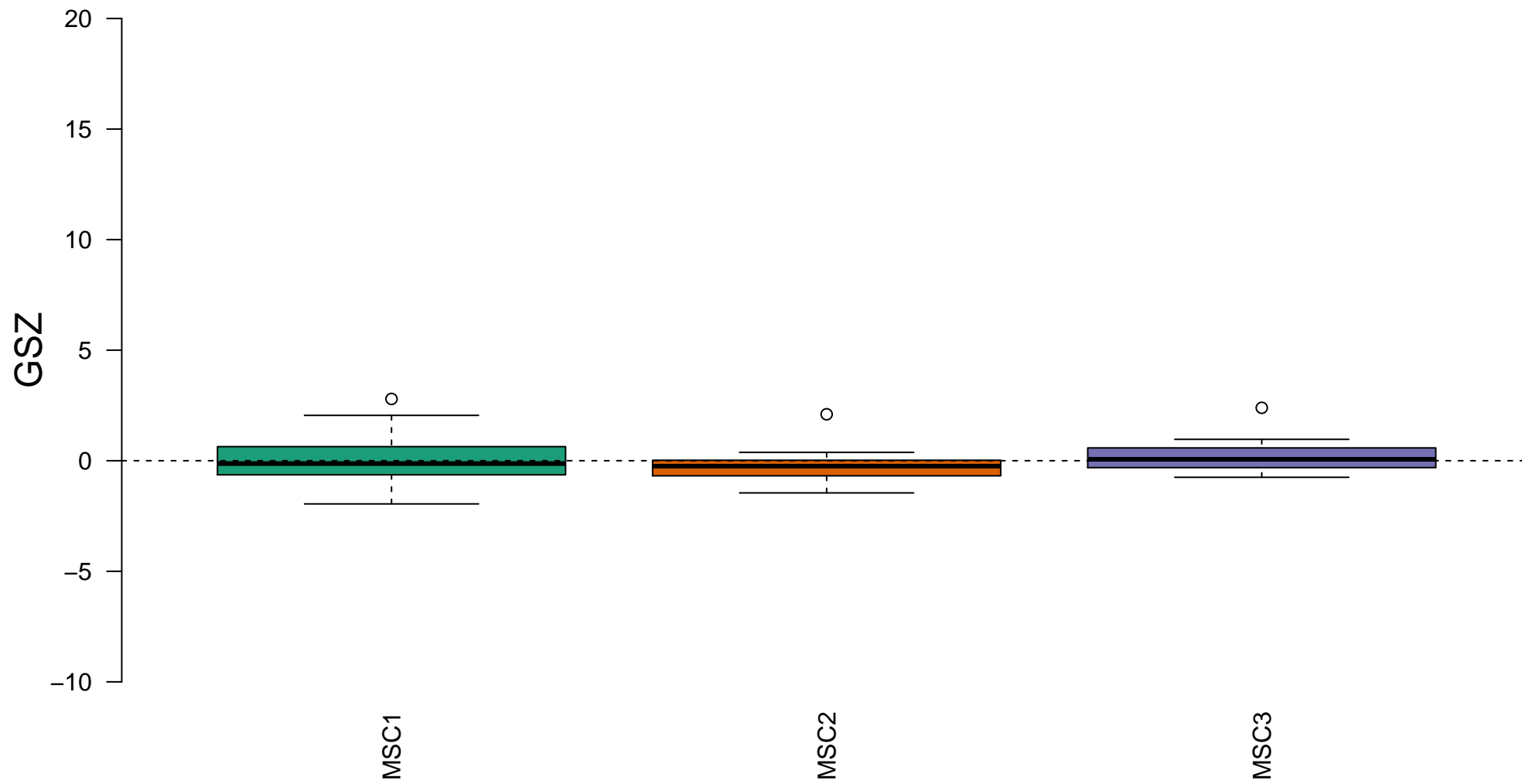
HE_PTEN_TARGETS_DN



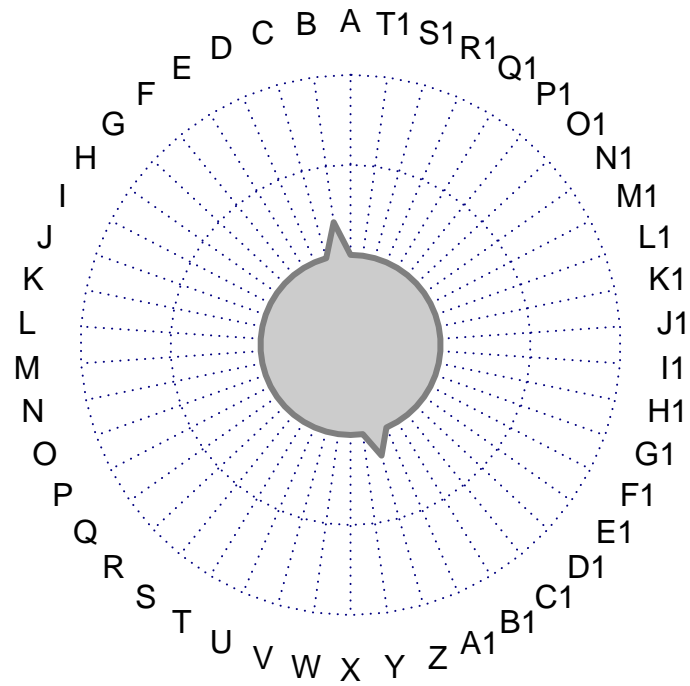
■ on
■ -
□ off



HE_PTEN_TARGETS_DN



Enrichment in overexpression spots



Enrichment in kMeans clusters

